

## Mall-Dawn X™ Features

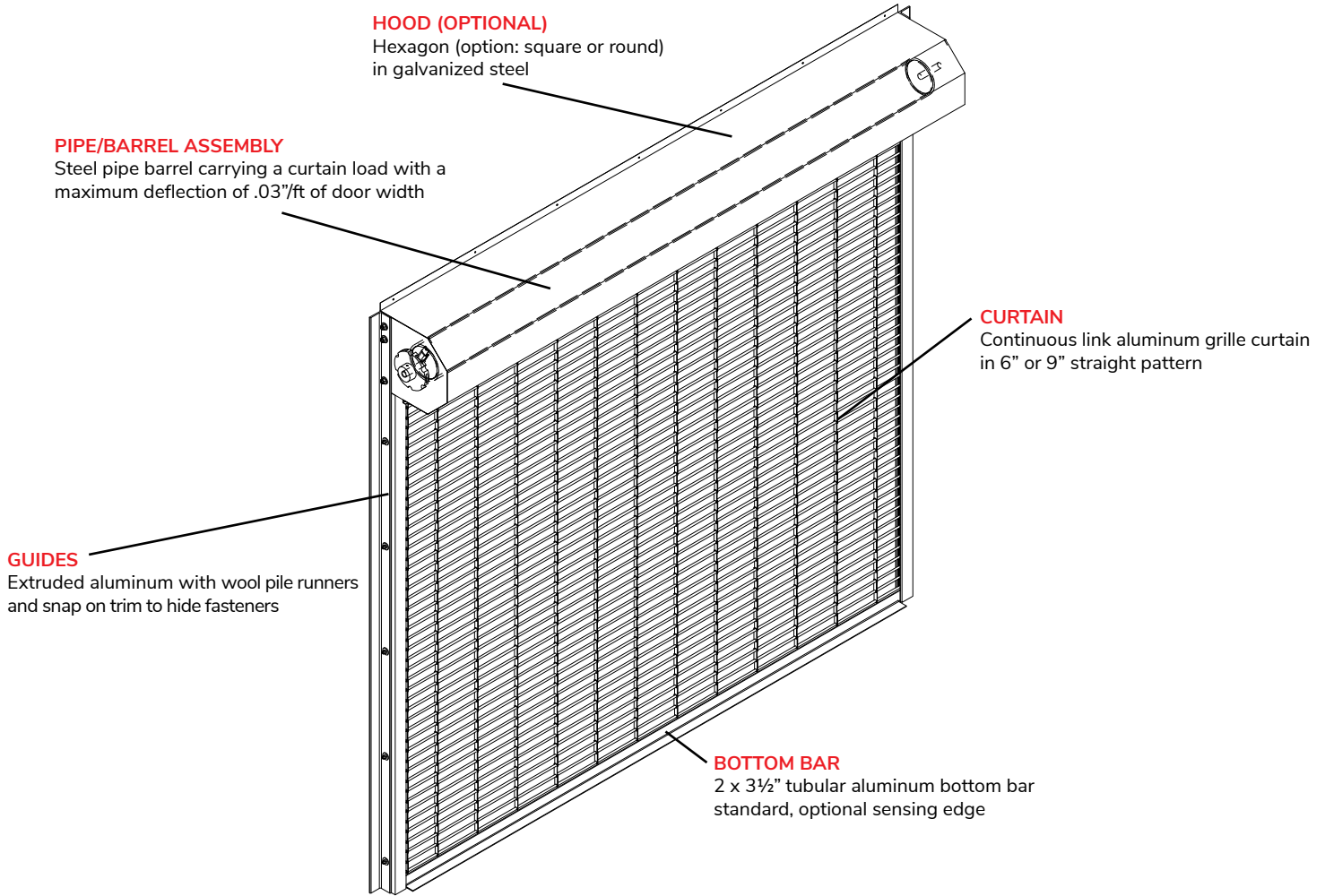
- Security with an open appearance
- Curtains available in aluminum or stainless steel
- Constructed with quality, long lasting materials
- Made to your specifications



Alpine's Mall-Dawn X™ mall security gate is ideal for malls. Security is provided while allowing consumers to view products even when the store is closed. Also, these mall doors are perfect for schools, parking garages, store fronts, and manufacturing facilities that require both security and ventilation.

## Functional Benefits

- Horizontal rods: Solid 5/16" galvanized, with option for Anodized Aluminum or Stainless Steel
- Vertical spacing: Aluminum or Stainless Steel continuous vertical links, 2" on center
- End links with lock washers are designed to prevent the curtain from leaving the guide rails
- Available in 3", 6" or 9" straight lattice pattern (Brick pattern available in heavy duty Mall-Dawn model)
- Extruded aluminum guides with wool pile runners and snap on trim to hide fasteners.
- 2" x 3 1/2" tubular aluminum bottom bar standard.



### Operational Requirements

- Choice of electric operator, hand chain, hand crank, or push up dependent on dimensions of security gate

### Optional Materials and Finishes

- **Curtain:** Solid 5/16" rods available in galvanized, aluminum or stainless steel

## Product Selection Guide

More Economical

Better Performance

